

Masport[®] Heating

FREESTANDING WOOD FIRES

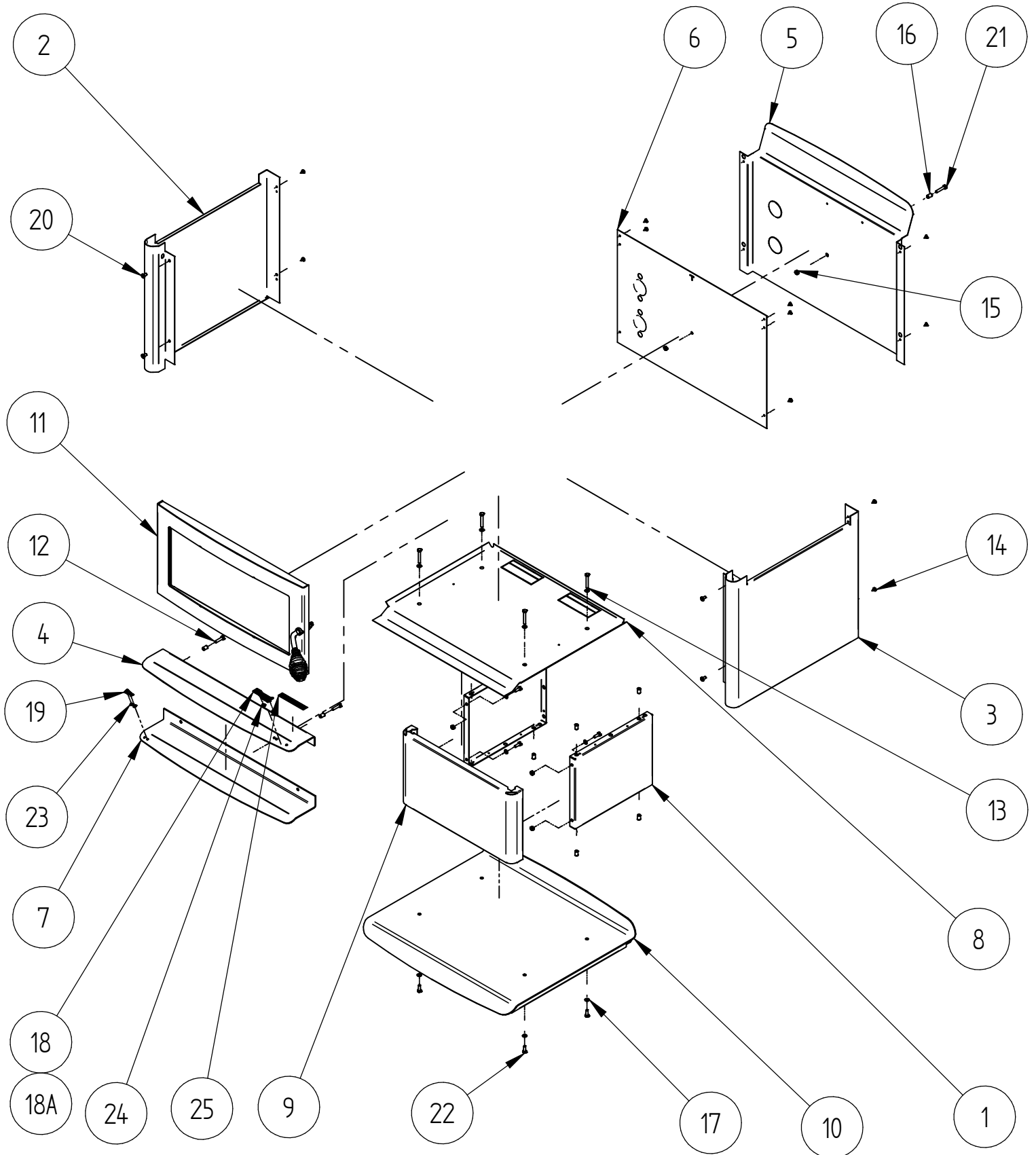
KRONOS - NEW ZEALAND

Item No.	MARKET	FUEL TYPE	FINISHING	YEAR	FAN
KRRBK* (Clean Air)	NZ	SOFTWOOD	Metallic Black VHT Paint	FEB-2008	No
992905 (Clean Air)				SEP-2011	
KRUBK* (Rural)				NOV-2009	
992907 (Rural)				APR-2011	

*LOGAIRE BRAND



PANELS, DOOR AND PEDESTAL



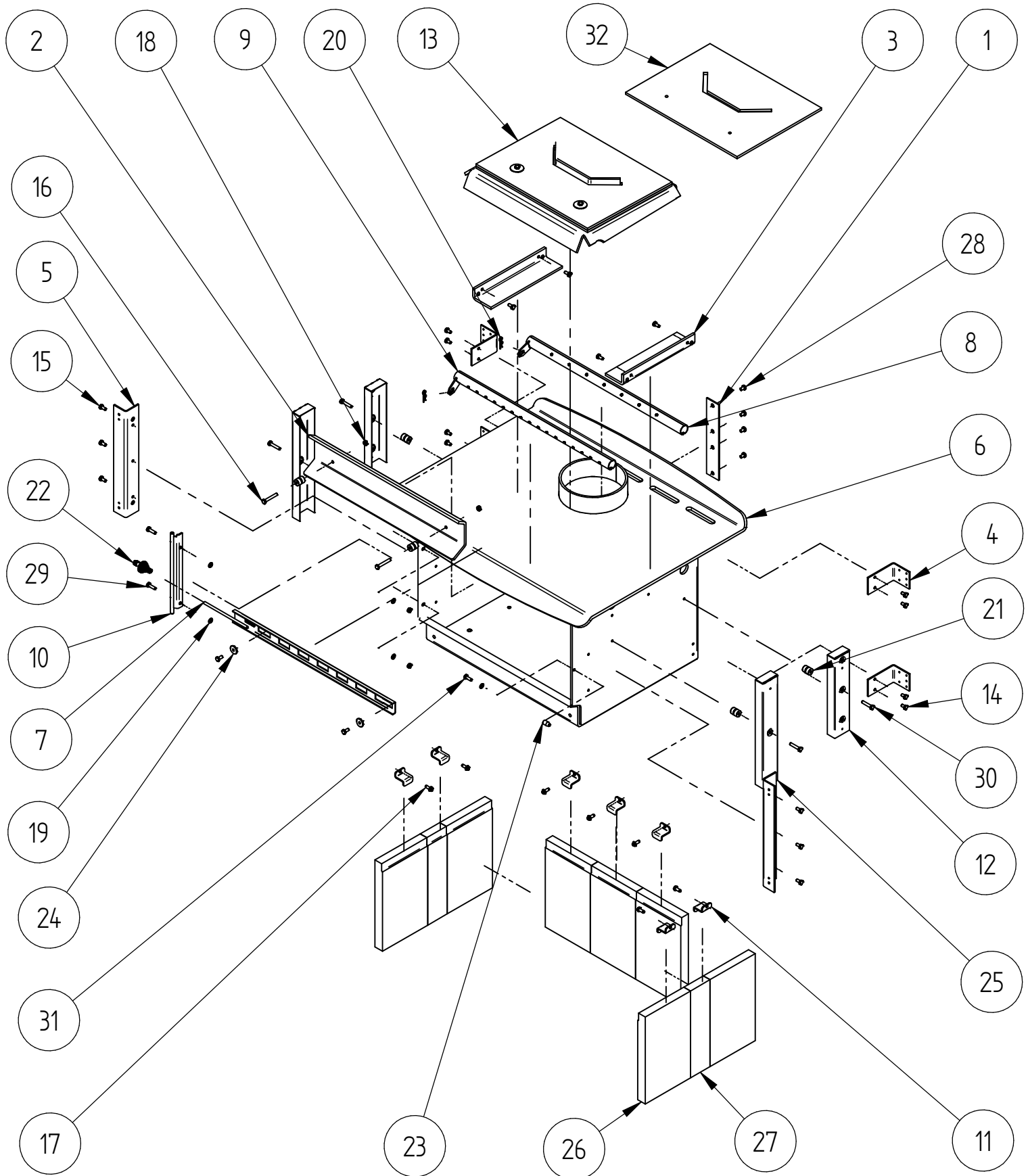
When ordering PLEASE QUOTE PART ID, MODEL Number & DESCRIPTIONS, NOT ITEM Number
determining left hand side from viewing position

PANELS, DOOR AND PEDESTAL

Item	Part ID	Model(s)				Description	Qty
		KRRBK	992905	KRUBK	992907		
1	ATN00178	V02	V02	V02	V02	ATN PEDESTAL SIDES	2
2	KRM00006	V02	V02	V02	V02	KRM L/H SIDE PANEL	1
3	KRM00007	V02	V02	V02	V02	KRM R/H SIDE PANEL	1
4	KRR00011	V02	V02	V02	V02	KRR ASH LIP TOP	1
5	KRR00012	-	-	-	-	KRR BACK PANEL	1
6	KRR00038	-	-	-	-	KRR REAR HEAT SHIELD	1
7	KRR00095	V02	V02	V02	V02	KRR ASH LIP BOTTOM	1
8	KRR00176	-	-	-	-	KRR BASE HEAT SHIELD	1
9	KRR00177	V02	V02	V02	V02	KRR PEDESTAL FRONT	1
10	KRRAC025	V02	V02	V02	V02	KRR PEDESTAL BASE ASSEMBLY	1
11	KRRAC730	V02	V02	V02	V02	KRR DOOR ASSEMBLY	1
12	521058	-	-	-	-	SCREW; M6X25 HEX ZP	2
13	521077	-	-	-	-	SCREW; M6X40 HEX ZP	4
14	521627	-	-	-	-	SCREW; S/T 8GX3/8" MUSH FLANGE POZI BLK	14
15	522117	-	-	-	-	NUT; HEX STD M6 ZP	6
16	522611	-	-	-	-	NUT; RIVNUT THN/SHT M6X13.5	11
17	523031	-	-	-	-	WASHER; FLAT M6 ZP	12
18	587835	-	-N/A-	-	-N/A-	BADGE MASPORT HEATING	1
18A	MIC00740	-N/A-	-	-N/A-	-	BADGE LOGAIRE	1
19	MIC00744	-	-	-	-	MIC HILO BADGE	1
20	521046	-	-	-	-	SCREW; M6X10 PAN POZI ZP	4
21	521059	-	-	-	-	SCREW; M6X30 HEX ZP	1
22	521076	-	-	-	-	SCREW; M6X16 HEX ZP	8
23	526008	-	-	-	-	CLIP; STARLOCK M3	2
24	526001	-	-	-	-	CLIP; STARLOCK 4 DIA SLP04	2
25	595695	-	-	-	-	DECAL "BURN ONLY" COMBINED NZ/AUS	1

When ordering PLEASE QUOTE PART ID, MODEL Number & DESCRIPTIONS, NOT ITEM Number
determining left hand side from viewing position

AIRSLIDE, BAFFLE, BRICKS AND FIREBOX (CLEAN AIR)

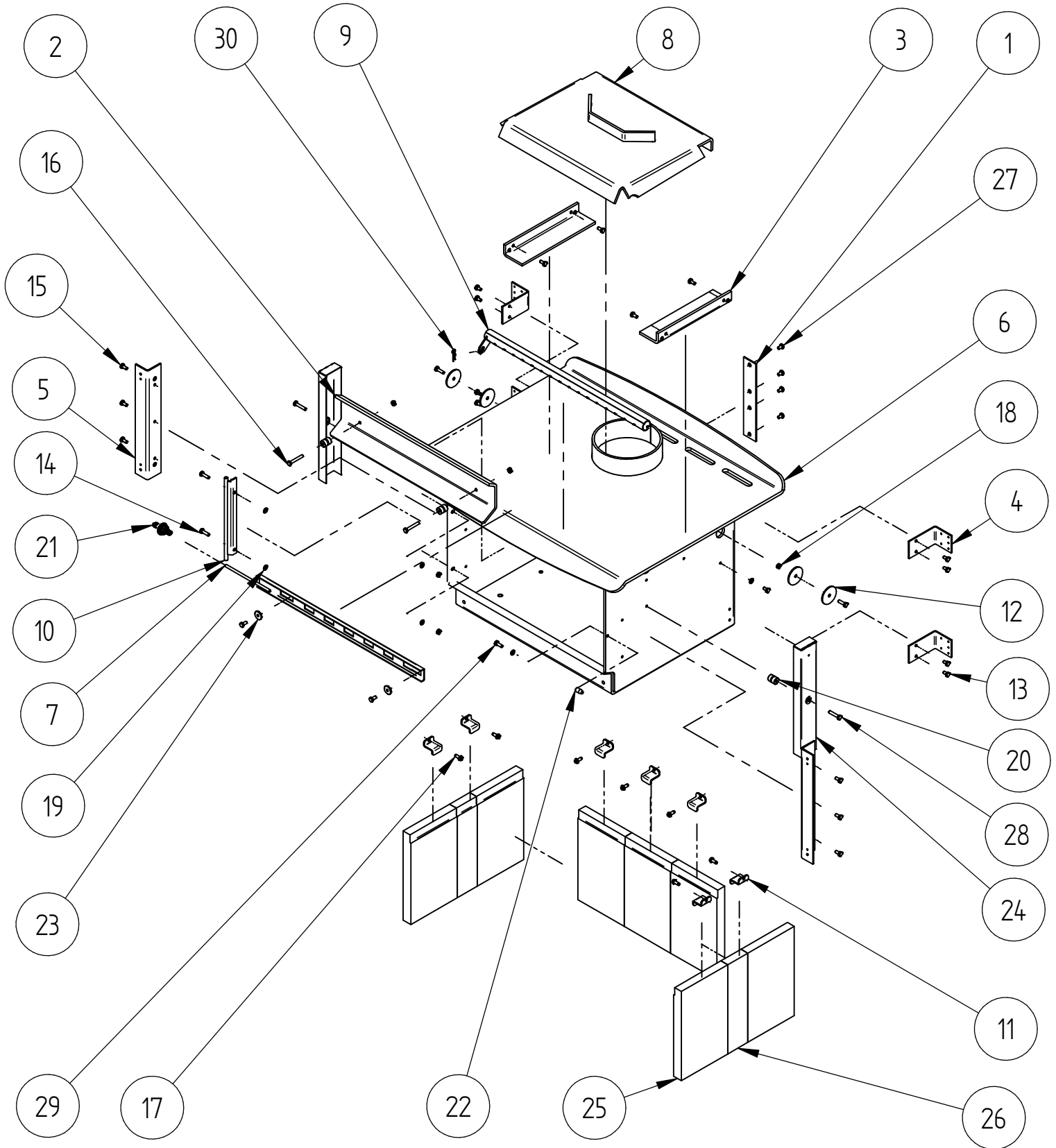


When ordering PLEASE QUOTE PART ID, MODEL Number & DESCRIPTIONS, NOT ITEM Number
determining left hand side from viewing position

AIRSLIDE, BAFFLE, BRICKS AND FIREBOX (CLEAN AIR)					
Item	Part ID	Model(s)		Description	Qty
		KRRBK	992905		
1	AIB00135	-	-	AIB WATER BOOSTER COVER PLATE	1
2	KRR00102	-	-	KRR AIR DEFLECTOR	1
3	KRR00116	-	-	KRR BAFFLE SUPPORT	2
4	KRR00130	-	-	KRR REAR BODY MOUNT BRKT	4
5	MIR00183	-	-	MIR DOOR RIDDLE	2
6	KRRAC004	-	-	KRR FIREBOX ASSEMBLY	1
7	KRR00036	-	-	KRR AIRSLIDE ASSEMBLY	1
8	KRR00136	-	-	KRR REAR AIR BAR ASSEMBLY	1
9	KRR00138	-	-	KRR FRONT AIR BAR ASSEMBLY	1
10	MICAC190	-	-	MIC DOOR HINGE ASSEMBLY	1
11	HBA00118	-	-	HBA BRICK RETAINER	7
12	HCA00164	-	-	HCA SEC AIR CHANNEL	2
13	993080	V02	V02	BAFFLE ASS COMPL KRONO CA	1
14	521043	-	-	SCREW; M6X10 HEX ZP	8
15	521075	-	-	SCREW; M6X12 HEX ZP	12
16	521077	-	-	SCREW; M6X40 HEX ZP	2
17	521632	-	-	SCREW; S/T M6X15 HEX FLANGE NIC TAPTITE	7
18	522117	-	-	NUT; HEX STD M6 ZP	4
19	523031	-	-	WASHER; FLAT M6 ZP	5
20	526101	-	-	CLIP; R-CLIP 1.8 DIA ST	2
21	HBA00129	-	-	HBA AIR DEFLECTOR SPACER	6
22	LAR00375BK	-	-	LAREDO AIR CONTROL HANDLE	1
23	MIC00079	-	-	LOGAIRE CATCH PIN	1
24	MIC00083	-	-	LOGAIRE METRO AIR SLIDE SPACER	2
25	MIC00123	-	-	MIC SEC AIR CHANNEL	2
26	MIC00354	-	-	MIC BRICK	7
27	MIC00355	-	-	MIC BRICK HALF	2
28	521046	-	-	SCREW; M6X10 PAN POZI ZP	4
29	521054	-	-	SCREW; M6X20 HEX ZP	2
30	521059	-	-	SCREW; M6X30 HEX ZP	4
31	521076	-	-	SCREW; M6X16 HEX ZP	1
32	KRR00348	-	-N/A-	KRR BAFFLE BLANKET	1

When ordering PLEASE QUOTE PART ID, MODEL Number & DESCRIPTIONS, NOT ITEM Number
determining left hand side from viewing position

AIRSLIDE, BAFFLE, BRICKS AND FIREBOX (RURAL)

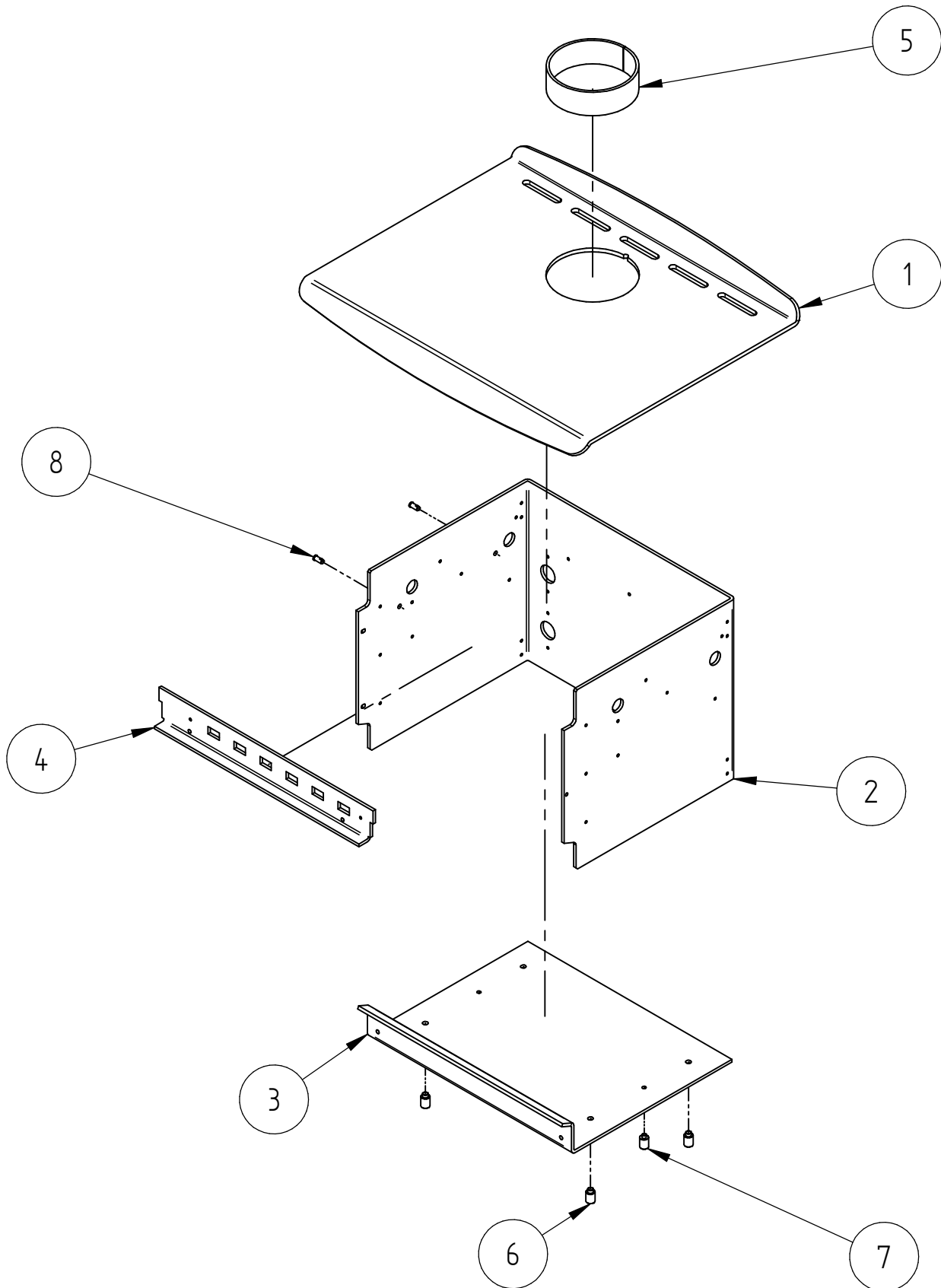


When ordering PLEASE QUOTE PART ID, MODEL Number & DESCRIPTIONS, NOT ITEM Number
determining left hand side from viewing position

AIRSLIDE, BAFFLE, BRICKS AND FIREBOX (RURAL)					
Item	Part ID	Model(s)		Description	Qty
		KRUBK	992907		
1	AIB00135	-	-	AIB WATER BOOSTER COVER PLATE	1
2	KRR00102	-	-	KRR AIR DEFLECTOR	1
3	KRR00116	-	-	KRR BAFFLE SUPPORT	2
4	KRR00130	-	-	KRR REAR BODY MOUNT BRKT	4
5	MIR00183	-	-	MIR DOOR RIDDLE	2
6	KRRAC004	-	-	KRR FIREBOX ASSEMBLY	1
7	KRMAC036	-	-	KRM AIRSLIDE	1
8	KRUAC109	-	-	KRU BAFFLE ASSEMBLY	1
9	PCAAC138	-	-	PCA AIR BAR ASSEMBLY	1
10	MICAC190	-	-	MIC DOOR HINGE ASSEMBLY	1
11	HBA00118	-	-	HBA BRICK RETAINER	7
12	MET00035	-	-	MET BAFFLE WASHER	4
13	521043	-	-	SCREW; M6X10 HEX ZP	10
14	521054	-	-	SCREW; M6X20 HEX ZP	4
15	521075	-	-	SCREW; M6X12 HEX ZP	12
16	521077	-	-	SCREW; M6X40 HEX ZP	2
17	521632	-	-	SCREW; S/T M6X15 HEX FLANGE NIC TAPTITE	7
18	522117	-	-	NUT; HEX STD M6 ZP	6
19	523031	-	-	WASHER; FLAT M6 ZP	7
20	HBA00129	-	-	HBA AIR DEFLECTOR SPACER	4
21	LAR00375BK	-	-	LAREDO AIR CONTROL HANDLE	1
22	MIC00079	-	-	LOGAIRE CATCH PIN	1
23	MIC00083	-	-	LOGAIRE METRO AIR SLIDE SPACER	2
24	MIC00123	-	-	MIC SEC AIR CHANNEL	2
25	MIC00354	-	-	MIC BRICK	7
26	MIC00355	-	-	MIC BRICK HALF	2
27	521046	-	-	SCREW; M6X10 PAN POZI ZP	4
28	521059	-	-	SCREW; M6X30 HEX ZP	2
29	521076	-	-	SCREW; M6X16 HEX ZP	1
30	526101	-	-	CLIP; R-CLIP 1.8 DIA ST	1

When ordering PLEASE QUOTE PART ID, MODEL Number & DESCRIPTIONS, NOT ITEM Number
determining left hand side from viewing position

FIREBOX DETAILS

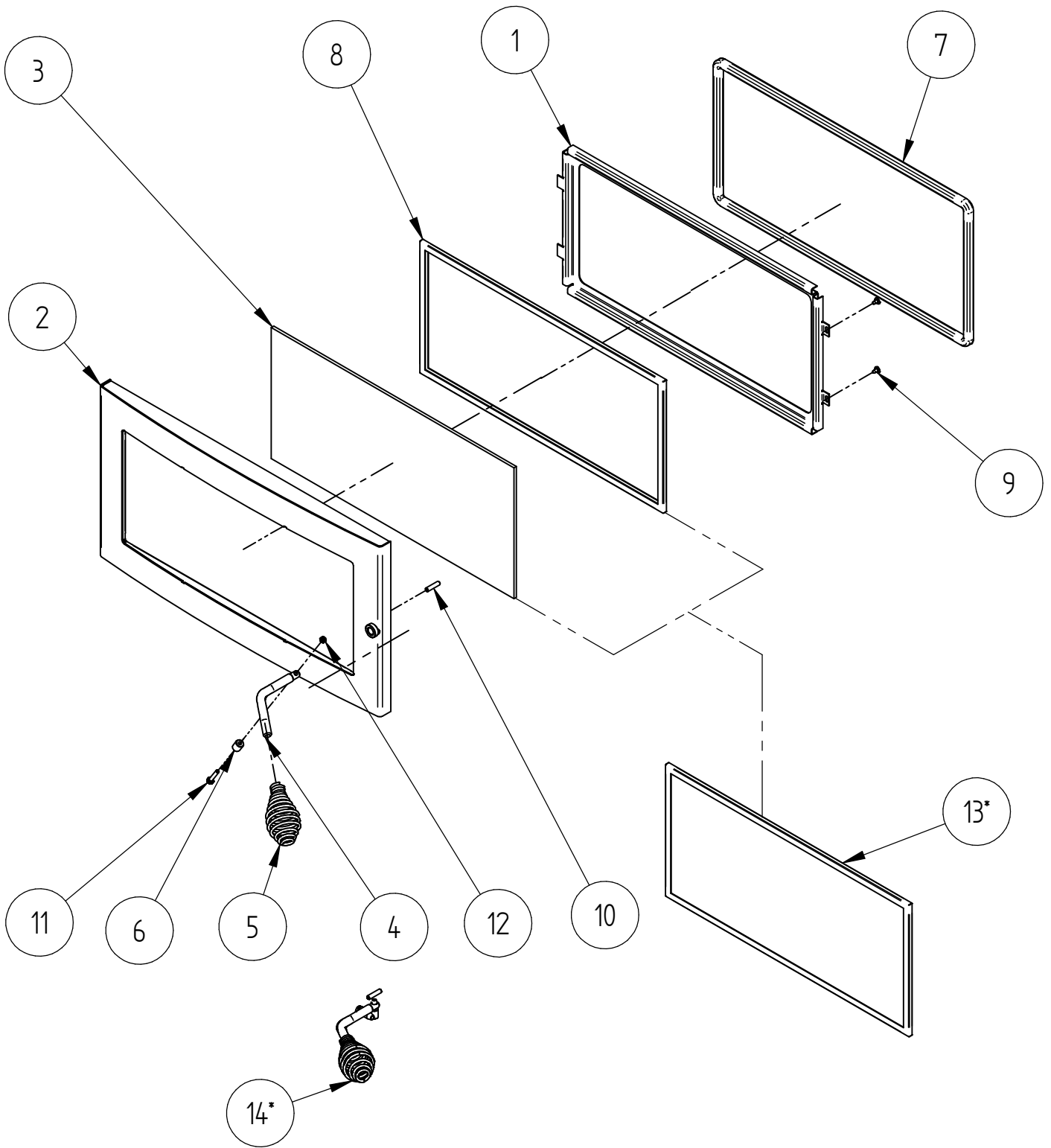


When ordering PLEASE QUOTE PART ID, MODEL Number & DESCRIPTIONS, NOT ITEM Number
determining left hand side from viewing position

FIREBOX DETAILS: KRRAC004							
Item	Part ID	Model(s)				Description	Qty
		KRRBK	992905	KRUBK	992907		
1	KRR00001	-	-	-	-	KRR TOP PLATE	1
2	KRR00106	-	-	-	-	KRR FIREBOX WRAP	1
3	KRR00107	-	-	-	-	KRR FIREBOX BASE	1
4	KRR00108	-	-	-	-	KRR FIREBOX FRONT	1
5	MET00120	-	-	-	-	SPIGOT	1
6	MET00429	-	-	-	-	FIREBOX BUSH - SPIGOTED	4
7	ATN00129	-	-	-	-	HEAT SHIELD SPACER	2
8	MIC00137	-	-	-	-	MIC AIRBAR PIN	2

When ordering PLEASE QUOTE PART ID, MODEL Number & DESCRIPTIONS, NOT ITEM Number
determining left hand side from viewing position

DOOR ASSEMBLY



When ordering PLEASE QUOTE PART ID, MODEL Number & DESCRIPTIONS, NOT ITEM Number
determining left hand side from viewing position

DOOR ASSEMBLY							
Item	Part ID	Model(s)				Description	Qty
		KRRBK	992905	KRUBK	992907		
		KRRAC730V02					
1	PFS00034	-	-			PFS GLASS RETAINER	1
2	KRRAC030	V02	V02			KRR ROUNDED DOOR	1
3	PFS00204	-	-			PFS GLASS	1
4	KRR00373	V02	V02			KRR DOOR LEVER	1
5	KRR00376BK	-	-			KRR DOOR HANDLE	1
6	PYR00461	-	-			PYR HANDLE ROLLER	1
7	C16MMDR	-	-			DOOR ROPE 16MM X 50m ROLL (MTR)	1
8	C25MMLT	-	-			LADDER TAPE 25x3x50m ROLL (MTR)	1
9	521627	-	-			SCREW; S/T 8GX3/8" MUSH FLANGE POZI BLK	2
10	521704	-	-			SCREW; GRUB M6X25 ALLEN BLK	1
11	521805	-	-			SCREW; CAP M5X25 ALLEN BLK	1
12	522901	-	-			NUT; BINX M5 ZP	1
13*	PFSAC204	-	-			PFS GLASS/TAPE SPARE KIT	1
14*	KRRACDH	-	-			KRONOS DOOR HANDLE ASSEMBLY KIT	1

*Optional Sale Kit

NOT ILLUSTRATED							
Item	Part ID	Model(s)				Description	Qty
		KRRBK	992905	KRUBK	992907		
1	593286	-N/A.-	-	-N/A.-	-	OWNER MANUAL WOODFIRES 2010	1
2	593287	-N/A.-	-	-N/A.-	-	INSTALL MANUAL WOODFIRES 2010	1
3	KRRBRICK	-N/A.-	-	-N/A.-	-N/A.-	KRONOS CA HW BRICK LAYOUT	1
4	KRUBRICK	-N/A.-	-N/A.-	-N/A.-	-	KRONOS RURAL BRICK LAYOUT	1
5	KRRM0738	-N/A.-	-	-N/A.-	-	KRR KRRHW DATA SHEET MASPORT	1
6	KRR00738	-	-N/A.-	-	-N/A.-	KRR KRRHW DATA SHEET MASPORT	1
7	MIC00739	-	-N/A.-	-	-N/A.-	LOGAIRE OPERATION MANUAL	1

SURFACE FINISH CODES FOR PANELS						
VITREOUS ENAMEL		VHT PAINT(Very High Temp)			POWDER COAT	
E01	MATT BLACK	V02	P-000022	METALLIC BLACK	P02	MATT BLACK
E02	GLOSS BLACK	V03	P-000043	CHARCOAL	P03	CHARCOAL
E03	CHARCOAL	V04	P-000081	TITANIUM	P05	SATIN BLACK
		V05	P-000051	CHARCOAL (DAM MET BLK)	P09	METTALIC BLACK
		V06	P-000052	METALLIC BLACK ZINC		

LESS FREQUENTLY OR OLD SURFACE FINISH CODES FOR PANELS						
VITREOUS ENAMEL		VHT PAINT(Very High Temp)			POWDER COAT	
E04	JASMINE	V01		SATIN BLACK HIGH TEMP	P01	BLUE/BLACK
					P04	GLOSS CHARCOAL
					P07	FLAT BLACK

When ordering PLEASE QUOTE PART ID, MODEL Number & DESCRIPTIONS, NOT ITEM Number
determining left hand side from viewing position